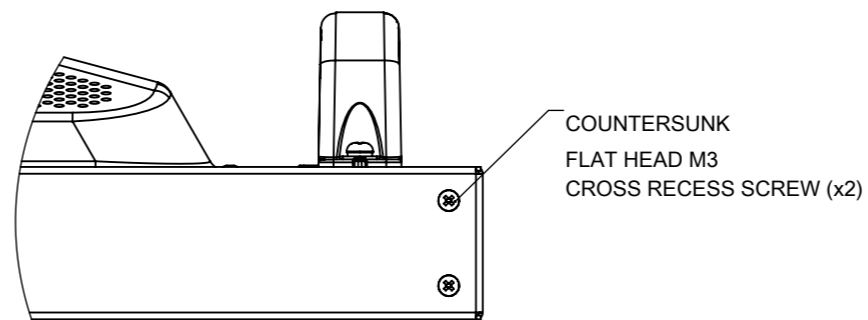
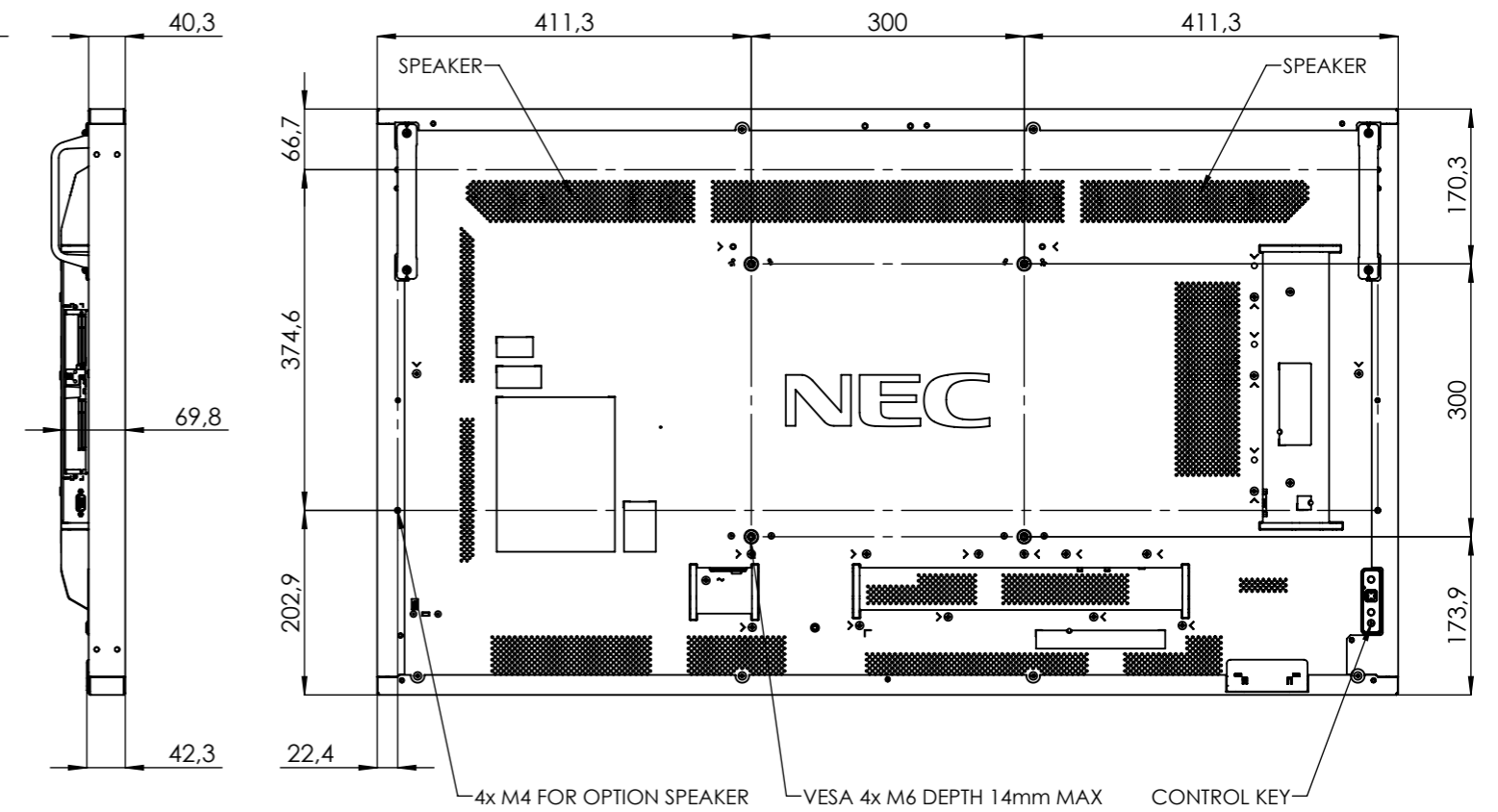
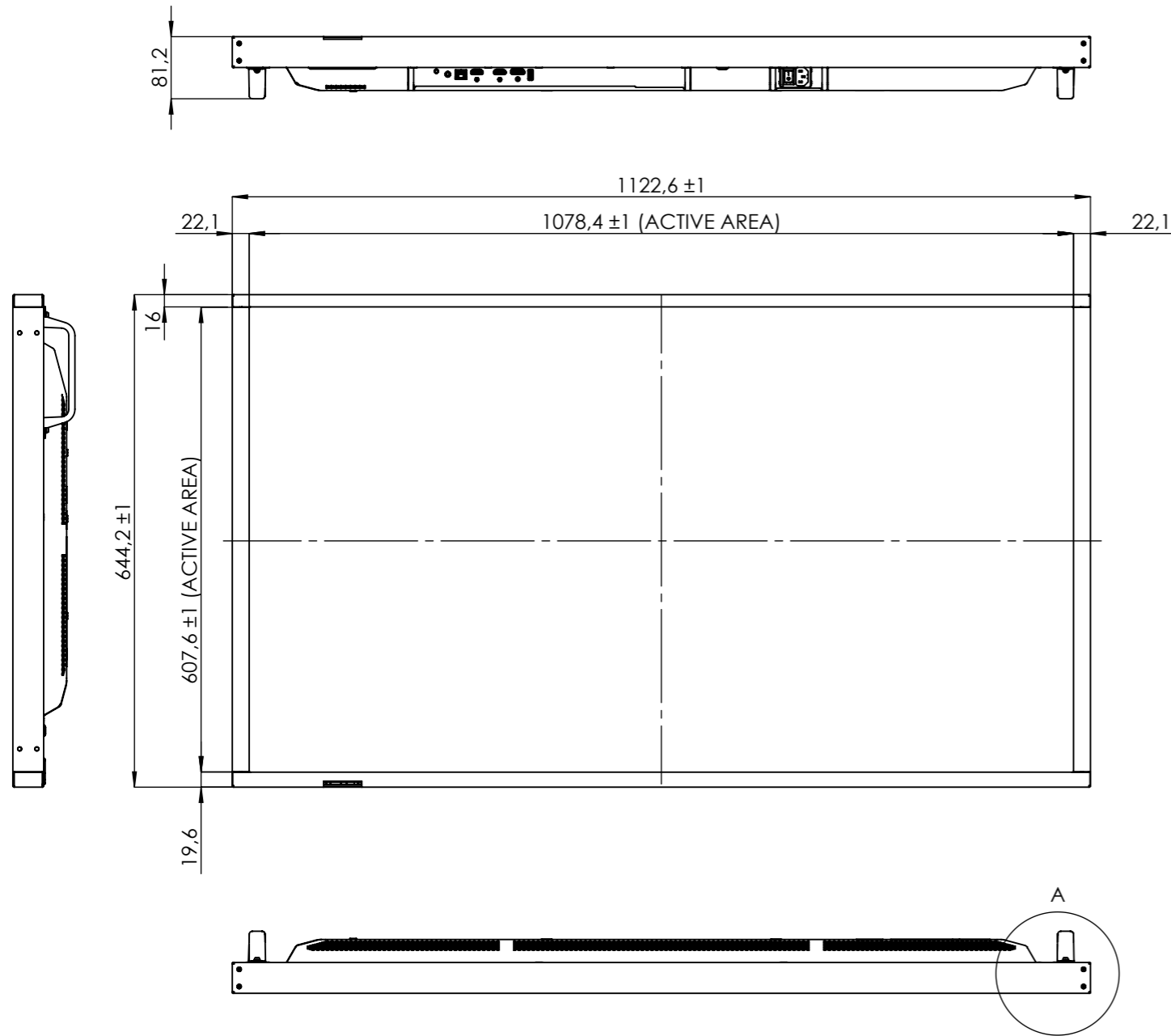


# M/MA491- P495 OUTLINE (WITH PROTECTIVE GLASS)



Tolerances for Dimensions without Individual Tolerance Indication, ref: ISO 2768-mk

FIRST ANGLE PROJECTION	
UNIT	mm
MODEL	M491
SCALE	1:8
DATE	08.03.2021