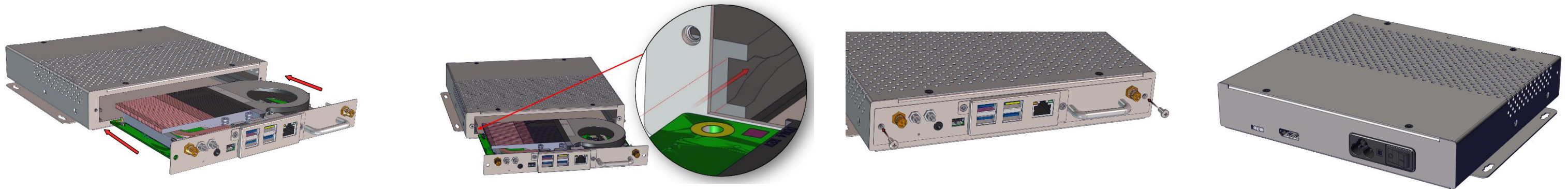


• Quick Reference Guide / Safety Instructions



Technical Details:

Power input: 110-240 VAC 50/60Hz max 1.9A
Displayport : Displayport 1.2 (no Adapters Supported)
AutoPowerOn Switch: set AutoPowerOn after powerloss (default ON)
Operating temperature: 0-40 degree Celsius
Humidity: 10% - 90% (non-condensing)
Dimension: 221 mm x 180 mm x 36 mm
Weight: ca. 1670g



Step 1: Plug the SDM Option in to the Adapter.

Step 2: Make sure that the SDM Option is placed in the center of the guide rail

Step 3: Fix the SDM Option with the two screws.

Step 4: Plug in the cables and finally the power cord. Turn on the unit with the on / off switch.

The System has been built and tested by Aaronn Electronic GmbH in accordance with IEC/EN/UL/CSA 62368-1 and has left the company in a perfectly safe condition. In order to maintain this condition and ensure safe operation the user must observe the instructions and warnings contained in this manual. The device must be used in accordance with the instructions for use.

- Repairs may only be carried out by qualified personnel authorized by Aaronn Electronic GmbH.
- The electrical installations in the room must correspond to the requirements of the local (country-specific) regulations.
- The device generates heat during operation. Do not cover the air intake and exhaust openings of the device. This ensures proper ventilation. Do not use the system in areas (e.g. housing) where no or inadequate air circulation exists. Provide unobstructed ventilation by maintaining at least 10cm distance from air intake and exhaust openings to its environment.
- Do not expose the device to direct sunlight or place it near heat sources or in damp places. Make sure the device has adequate ventilation.
- Only devices and components which fulfill the requirements of an SELV circuit (safety extra low voltage) in accordance with IEC/EN 62368-1 may be connected to the interfaces of the system.
- Before plugging in a SDM module, it must be ensured that the power cord is disconnected. Switching off the device by using the power button, does not disconnect it from the mains. Complete disconnection is only possible if the power cable is removed from the wall plug or from the device. Ensure that there is free and easy access to enable disconnection.
- Do not open the SDM Adapter. There are no user serviceable parts inside.

SDM Standalone Adapter

AARONN®

Declaration of Conformity

FCC Class B

- Declaration based on 47 CFR 15.19(a)(3):

„This device complies with part 15 of the FCC Rules. Operation is subject to the following two conditions:

- (1) This device may not cause harmful interference and
- (2) this device must accept any interference received, including interference that may cause undesired operation.”

- Statement for Class B based on 47 CFR 15.105(b)

“Note: This equipment has been tested and found to comply with the limits for a Class B digital device,

pursuant to part 15 of the FCC Rules. These limits are designed to provide reasonable protection against harmful interference in a residential installation. This equipment generates, uses and can radiate radio frequency energy and, if not installed and used in accordance with the instructions, may cause harmful interference to radio communications. However, there is no guarantee that interference will not occur in a particular installation. If this equipment does cause harmful interference to radio or television reception, which can be determined by turning the equipment off and on, the user is encouraged to try to correct the interference by one or more of the following measures:

Reorient or relocate the receiving antenna. Increase the separation between the equipment and receiver. Connect the equipment into an outlet on a circuit different from that to which the receiver is connected.

Consult the dealer or an experienced radio/TV technician for help.”



Compliance with Directive 2012/19/EU (WEEE)



Disposing of your used product: In the European Union

EU-wide legislation as implemented in each Member State requires that used electrical and electronic products carrying the mark (left) must be disposed of separately from normal household waste. This includes monitors and electrical accessories, such as signal cables or power cords. When you dispose of such products, please follow the guidance of your local authority or ask the shop where you purchased the product, or if applicable, follow applicable legislation or agreement you may have. The mark on electrical and electronic products may only apply to the current European Union Member States.uct, or if applicable, follow applicable legislation or agreement you may have. The mark on electrical and electronic products may only apply to the current European Union Member States.

Outside the European Union

If you wish to dispose of used electrical and electronic products outside the European Union, please contact your local authority and ask for the correct method of disposal.

For EU: The crossed-out wheeled bin implies that used batteries should not be put to the general household waste! There is a separate collection system for used batteries, to allow proper treatment and recycling in accordance with legislation.

According to EU directive 2006/66/EC and amendments, the battery can't be disposed improperly. The battery shall be separated to collect by local service.



Turkish WEEE (AEEE Yönetmeligine Uygun)

Aaronn Electronic GmbH follows the EU WEEE requirements and can meet the Turkish WEEE requirements for product design and labeling. Please contact the importer for information on WEEE recycling.